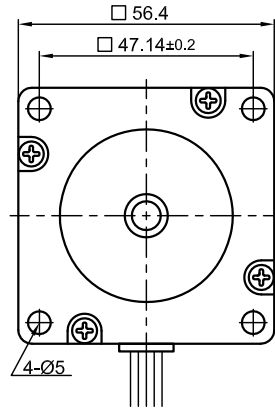
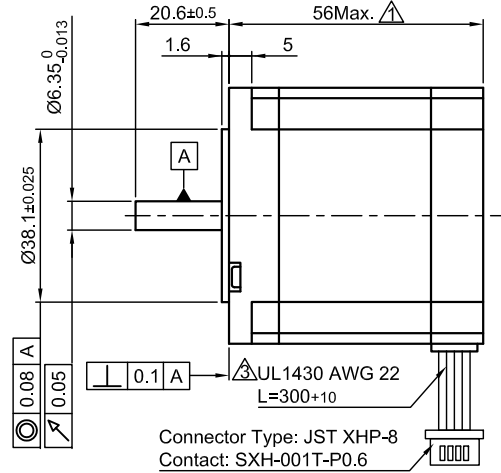


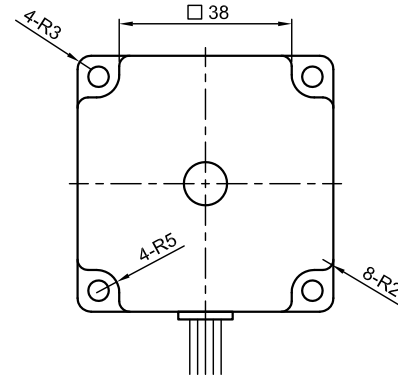
Front view and mounting



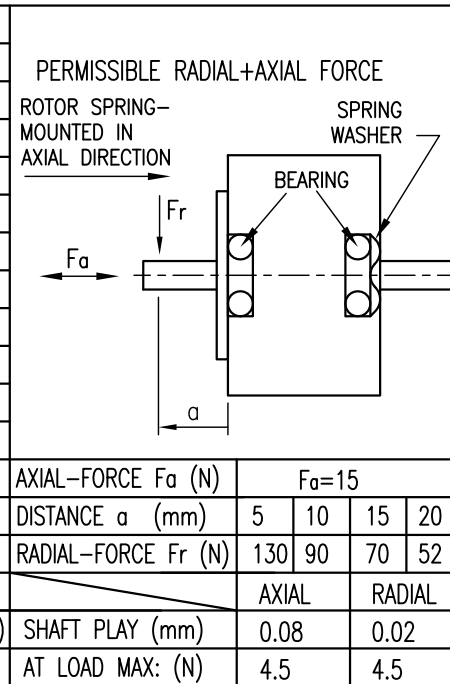
Side view



Rear view



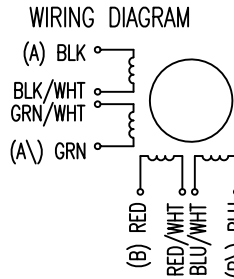
SPECIFICATION	CONNECTION	UNIPOLAR OR BIPOLAR-1 WINDING		BIPOLAR	
		SERIAL	PARALLEL	SERIAL	PARALLEL
VOLTAGE (VDC)		6.9			
AMPS/PHASE		1.0	0.71	1.41	
RESISTANCE/PHASE (Ohms)@25°C		6.9±10%	13.8±10%	3.5±10%	
INDUCTANCE/PHASE (mH) @1KHz		14±20%	56±20%	14±20%	
HOLDING TORQUE (Nm) [lb-in]		0.88 [7.8] Δ	Δ 1.24 [10.98]	Δ 1.24 [10.98]	
DETENT TORQUE (Nm) [lb-in]		0.04 [0.354]			
STEP ANGLE (°)		1.8			
ACCURACY(NON-ACCUM)		±5%			
ROTOR INERTIA (Kg-m ²) [lb-in ²]		3.0x10 ⁻⁵ [0.102]			
WEIGHT (Kg) [lb]		0.7 [1.54]			
TEMPERATURE RISE: MAX.80°C (MOTOR STANDSTILL; FOR 2 PHASE ENERGIZED)					
AMBIENT TEMPERATURE -10~ 50°C [14°F ~ 122°F]					
INSULATION RESISTANCE 100 MOhm (UNDER NORMAL TEMPERATURE AND HUMIDITY)					
INSULATION CLASS B 130° [266°F]					
DIELECTRIC STRENGTH 500VAC FOR 1 MIN. (BETWEEN THE MOTOR COILS AND THE MOTOR CASE)					
AMBIENT HUMIDITY MAX. 85% (NO CONDENSATION)					



TYPE OF CONNECTION (EXTERN)				MOTOR		
UNIPOLAR	BIPOLAR			CONNECTOR PIN NO. Δ	LEADS	WINDING
	1WINDING	SERIAL	PARALLEL			
A	A	A	A	1	BLK	A
COM	A			3	BLK/WHT	
A\		A\	A\	2	GRN/WHT	A\
B	B	B	B	4	GRN	B
COM	B			5	RED	
B\		B\	B\	7	RED/WHT	B\
				6	BLU/WHT	
				8	BLU	

FULL STEP 2 PHASE-Ex.,
WHEN FACING MOUNTING END (X)

STEP	A	B	A\	B\	CCW	CW
1	+	+	-	-		
2	-	+	+	-		
3	-	-	+	+		
4	+	-	-	+		



5	NEW VALUE OF HOLD. TOR.	18.11.13	J.D.
4	HOLDING TORQUE	10.05.10	J.W.
3	NEW UL NO.	28.07.09	J.W.
REV	DESCRIPTION	DATE	APVD



ST5918M1008-A

SCALE	FREE	APVD	S.Ha.	19.03.07
X	±0.5	CHKD		
1PL	±0.2	DRN	J.W.	21.11.06
2PL	±0.1	SIGNATURE		DATE
ANGLE	±30'			

STEPPING MOTOR

DWG.NO

ST5918M1008-A